

FAG

**53222**

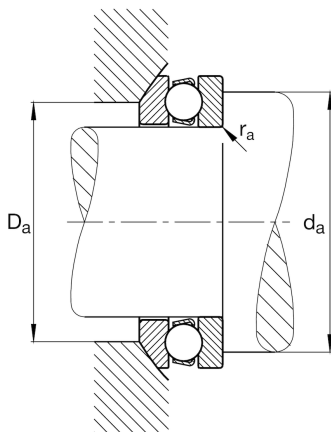
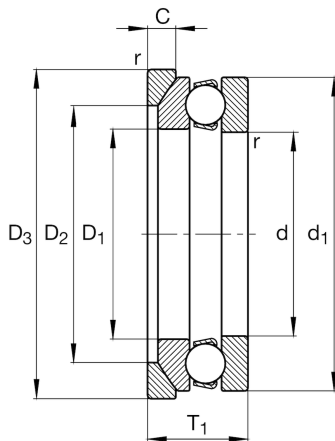
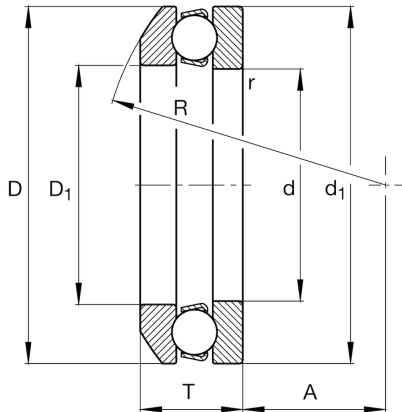
## Axial deep groove ball bearing

Schaeffler ID:  
0190703810000

Axial deep groove ball bearing 532, single direction, with spherical housing washer, steel sheet metal cage

## Technical information

## Main Dimensions &amp; Performance Data



d	110 mm	Inner diameter shaft washer
D	160 mm	Outer diameter housing washer
T	40,2 mm	Height
$C_a$	126.000 N	Basic dynamic load rating, axial
$C_{0a}$	365.000 N	Basic static load rating, axial
$C_{ua}$	14.400 N	Fatigue load limit, axial
$n_G$	2.650 1/min	Limiting speed
$n_{gr}$	3.250 1/min	Reference speed
	2,315 kg	Weight

## Dimensions

$r_{min}$	1,1 mm	Minimum chamfer dimension
$D_1$	113 mm	Inner diameter housing washer
$d_1$	160 mm	Outer diameter shaft washer
R	125 mm	Radius spherical housing washer
A	65 mm	Distance of the center point
$T_1$	45 mm	Height with seat washer

## Mounting dimensions

$d_{a min}$	140 mm	Minimum diameter shaft shoulder
$D_{a max}$	135 mm	Maximum diameter of housing shoulder
$r_{a max}$	1 mm	Maximum filled radius

## Calculation factors

A	0,83	Minimum load factor
---	------	---------------------

## Additional information

U222	Seat washer
------	-------------

## Temperature range

$T_{min}$	-30 °C	Operating temperature min.
$T_{max}$	150 °C	Operating temperature max.

